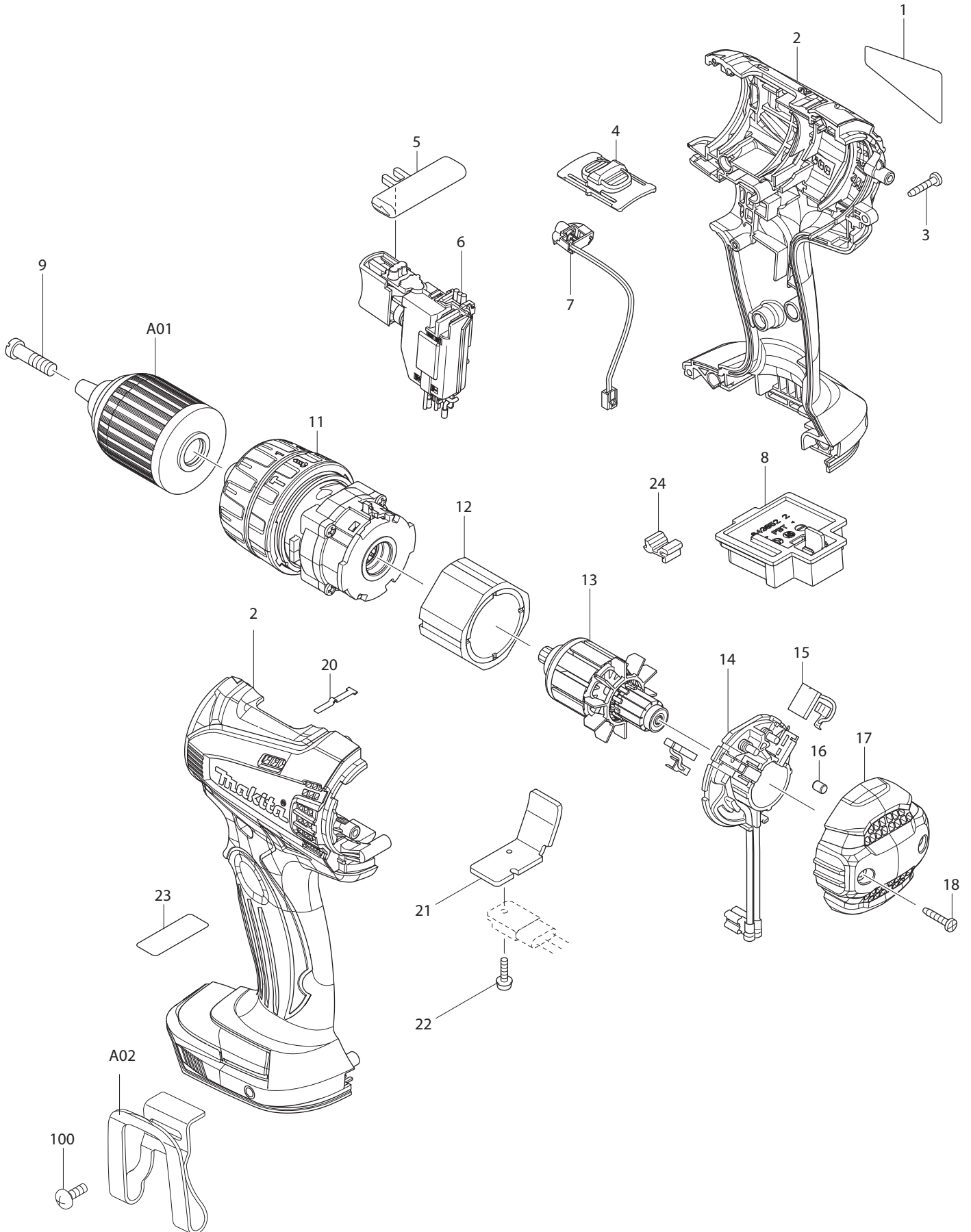




11 - 2013
DHP456RFE / DHP456SYE / DHP456Z
18V HAMMER DRIVER DRILL



Item No	Type	Ref	Part No	Description	Qty	Unit
1			815C81-7	NAME PLATE F/DHP456	1	PC.
2			188971-2	HOUSING SET	1	PC.
		INC.	263005-3	RUBBER PIN 6	2	PC.
3			266429-2	TAPPING SCREW 3X16	9	PC.
4			126289-3	SPEED CHANGE LEVER ASSEMBLY	1	PC.
		INC.	233438-6	COMPRESSION SPRING 4	2	PC.
5			419250-0	F/R CHANGE LEVER	1	PC.
6	1		650637-9	SWITCH	1	PC.
	2		650731-7	SWITCH C3HZ-1A-TLMS	1	PC.
	3		650747-2	SWITCH C3HA-Z1A-TLMS	1	PC.
7	1		620012-3	LED CIRCUIT	1	PC.
	2		620388-8	LED CIRCUIT	1	PC.
8			643852-2	TERMINAL	1	PC.
9			251468-5	- FLAT HEAD SCREW M6X22	1	PC.
11	1		125848-0	GEAR ASSEMBLY	1	PC.
	2		126460-9	GEAR ASSEMBLY	1	PC.
12	1		638425-4	YOKE UNIT	1	PC.
	2		632J71-5	YOKE UNIT	1	PC.
13			619263-3	ARMATURE	1	PC.
14			638494-5	BRUSH HOLDER COMPLETE	1	PC.
15			195021-6	CARBON BRUSH CB-440 2PC/SET, W/ ORIGIN	1	SET
16			263032-0	RUBBER PIN 4	2	PC.
17			452205-2	REAR COVER (BLUE)	1	PC.
18			266429-2	TAPPING SCREW 3X16	2	PC.
20			232182-2	LEAF SPRING	1	PC.
21			689170-4	HEAT SINK	1	PC.
22			911013-5	PAN HEAD SCREW M3X10	1	PC.
23			802P77-5	CAUTION LABEL	1	PC.
24			424476-1	CUSHION	1	PC.
100			251314-2	+ SCREW M4X12(FOR HOOK & BIT HOLDER)	1	PC.

ACCESSORIES

- See Catalogue or visit www.makita.ca for more accessories information -

A01	1		766008-1	1/2" KEYLESS DRILL CHUCK	1	PC.
	2		766027-7	1/2" KEYLESS DRILL CHUCK	1	PC.
A02			-----	LI-ION BATTERY ACCESSORIES		
A03			784637-8	+ BIT 2-45	1	PC.
A04			824812-5	PLASTIC CARRYING CASE	1	PC.
A06			-----	BATTERY CHARGER		
A07			-----	18V LI-ION BATTERY		
A08			452947-8	BIT HOLDER	1	PC.